

4

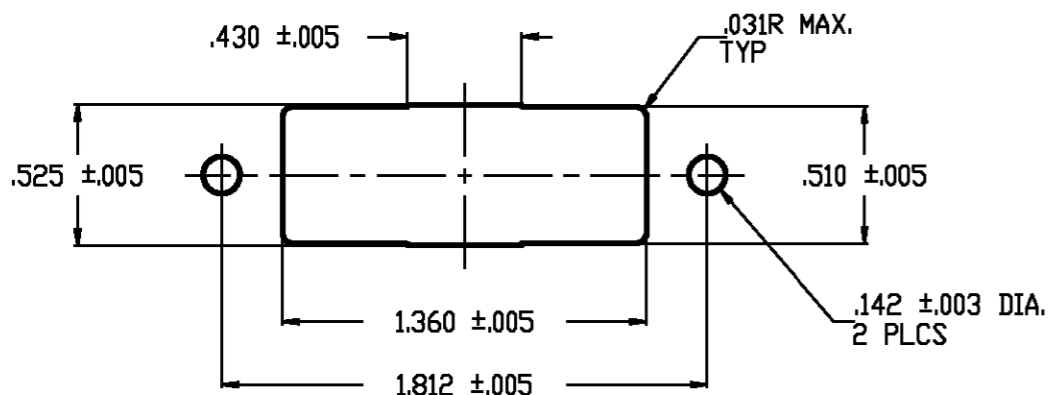
3

2

1

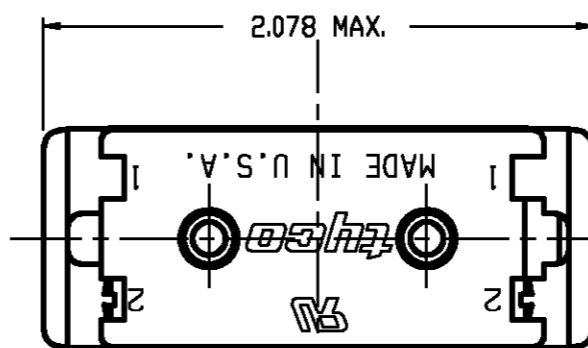
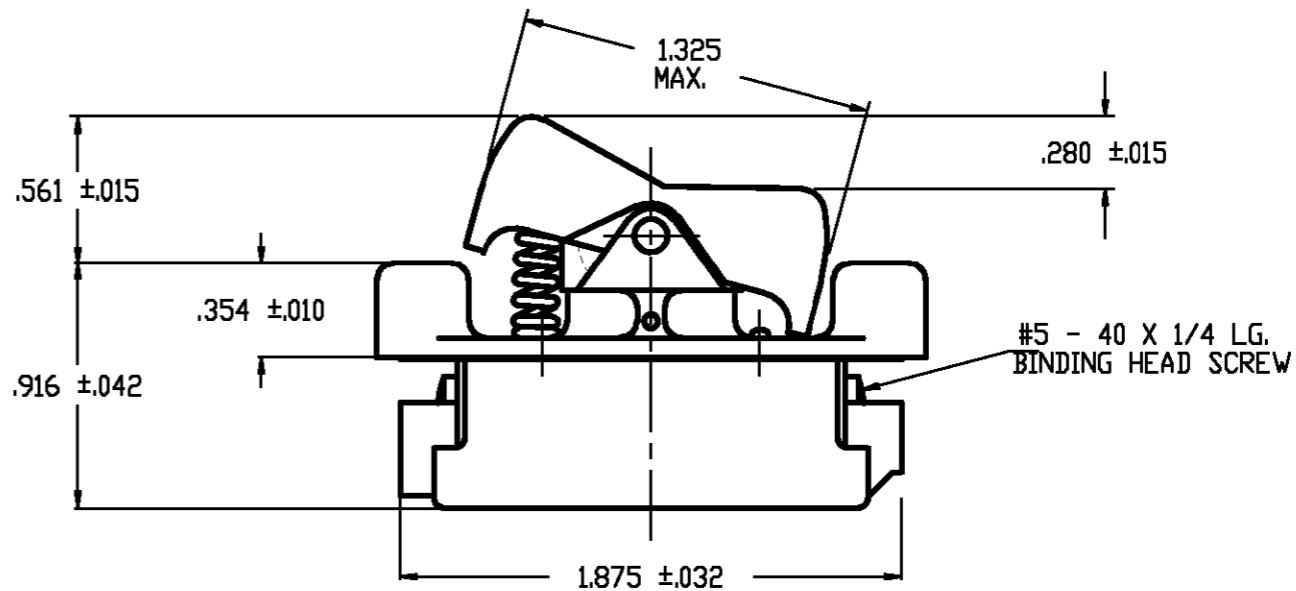
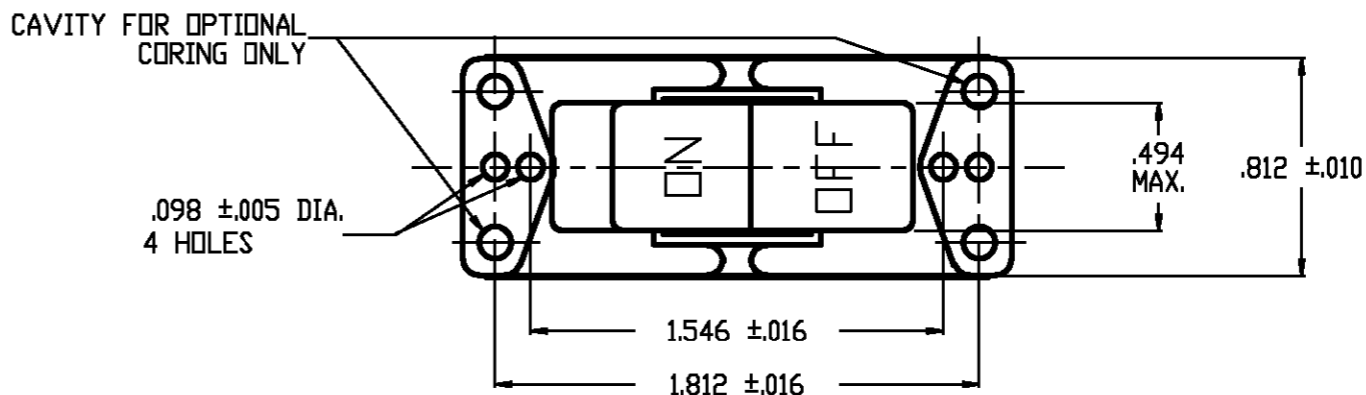
THIS DRAWING IS UNPUBLISHED. RELEASED FOR PUBLICATION  
© COPYRIGHT BY TYCO ELECTRONICS CORPORATION. ALL RIGHTS RESERVED.

LOC	DIST	REVISIONS					
AD	00	P	LTR	DESCRIPTION	DATE	DWN	APVD
		A		ECOG3G-0016-01	25MAY01	WL	WBH



PANEL CUTOUT

NOTE:  
1. SWITCH RATED AT 8A 250V 16A 125V 1HP 125V.



91-572

TYCO NO. 1520238-9  
(ARAB NO. 8909K13)

THIS DRAWING IS A CONTROLLED DOCUMENT.		DWN W. HANSON 12SEP95	Tyco Electronics Corporation Arab, AL 35016	
DIMENSIONS: INCHES		CHK W. Leonard 13SEP95	NAME ALL PLASTIC ROCKER SWITCH	
TOLERANCES UNLESS OTHERWISE SPECIFIED:		APVD M.R. DUMMER 13SEP95	SIZE A3	
0 PLC ± -		PRODUCT SPEC	CAGE CODE 00779	DRAWING NO 1520238
1 PLC ± -		APPLICATION SPEC	RESTRICTED TO	
2 PLC ± -		WEIGHT	SCALE 1:1	
3 PLC ± -		FINISH	SHEET 4 OF 4	
4 PLC ± -		MATERIAL	REV A	
ANGLES ± -		CUSTOMER DRAWING		

4

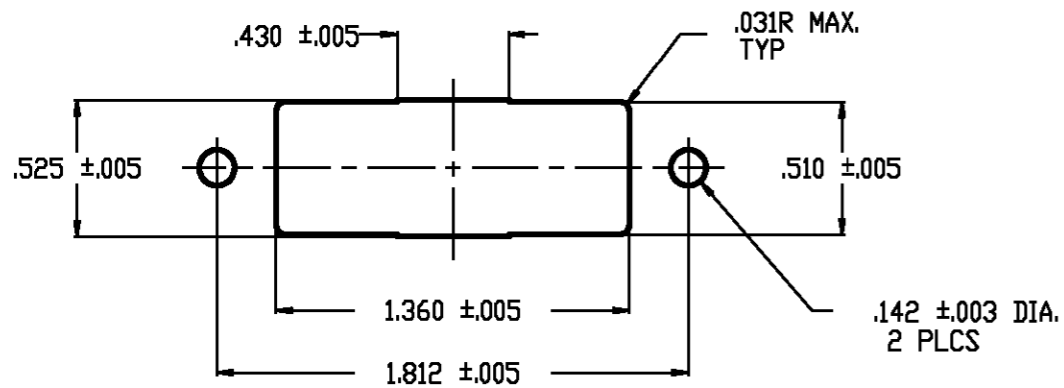
3

2

1

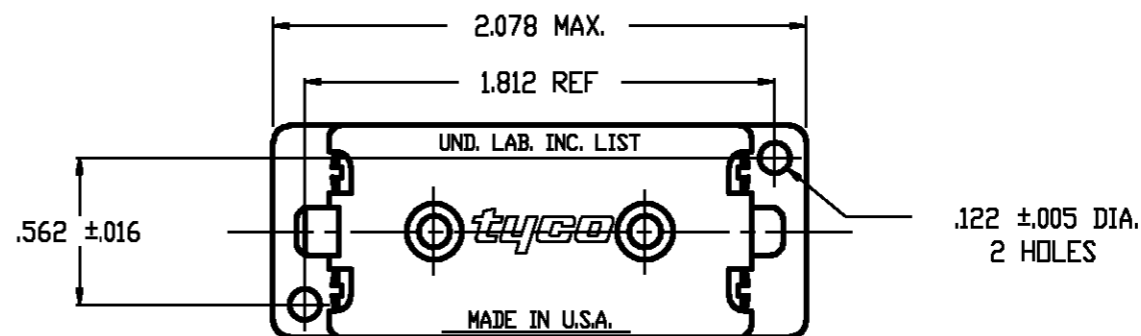
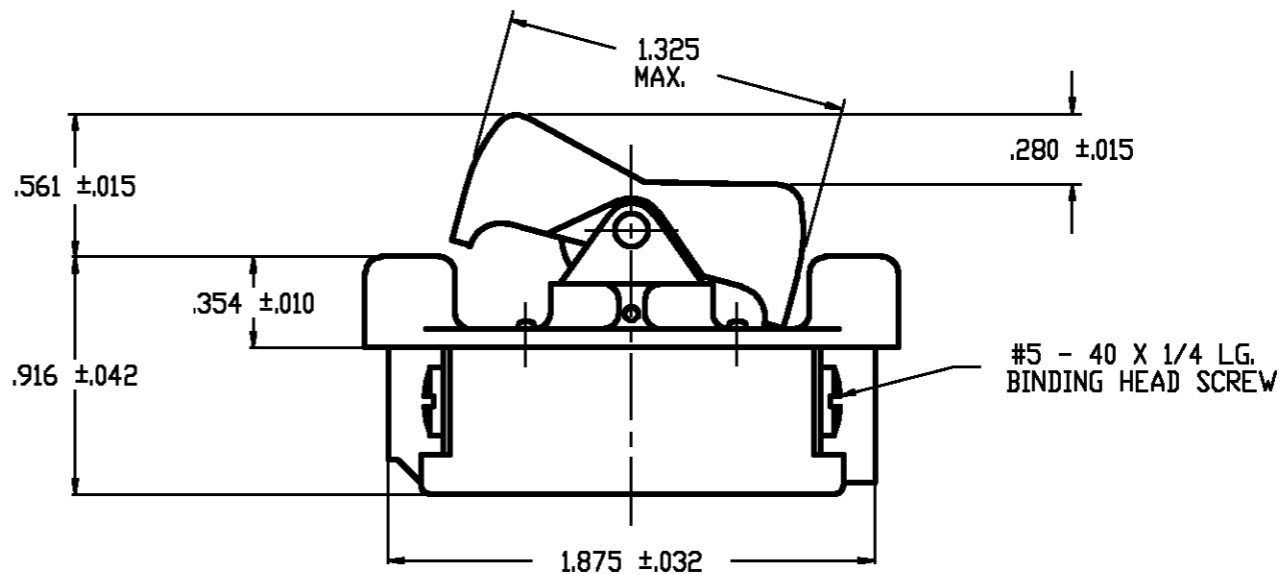
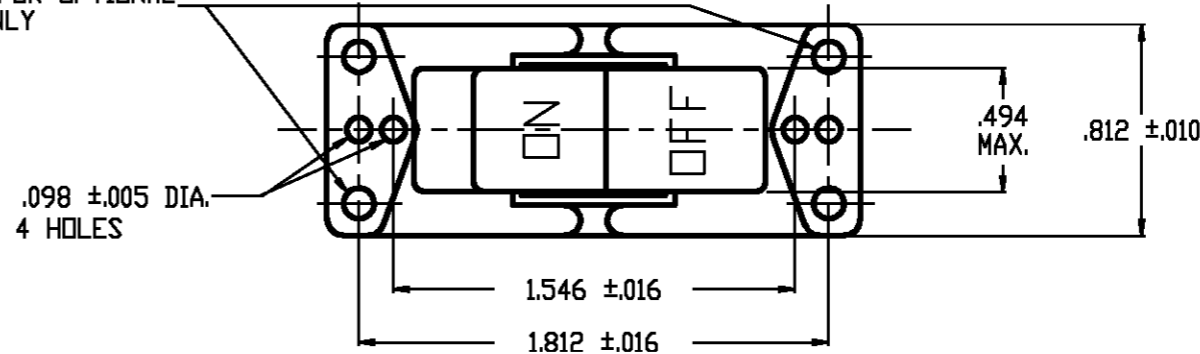
THIS DRAWING IS UNPUBLISHED. RELEASED FOR PUBLICATION  
© COPYRIGHT BY TYCO ELECTRONICS CORPORATION. ALL RIGHTS RESERVED.

LOC	DIST	REVISIONS					
AD	00	P	LTR	DESCRIPTION	DATE	DWN	APVD
		A		EC0G3G-0016-01	25MAY01	WL	WBH



PANEL CUTOUT

CAVITY FOR OPTIONAL CORING ONLY



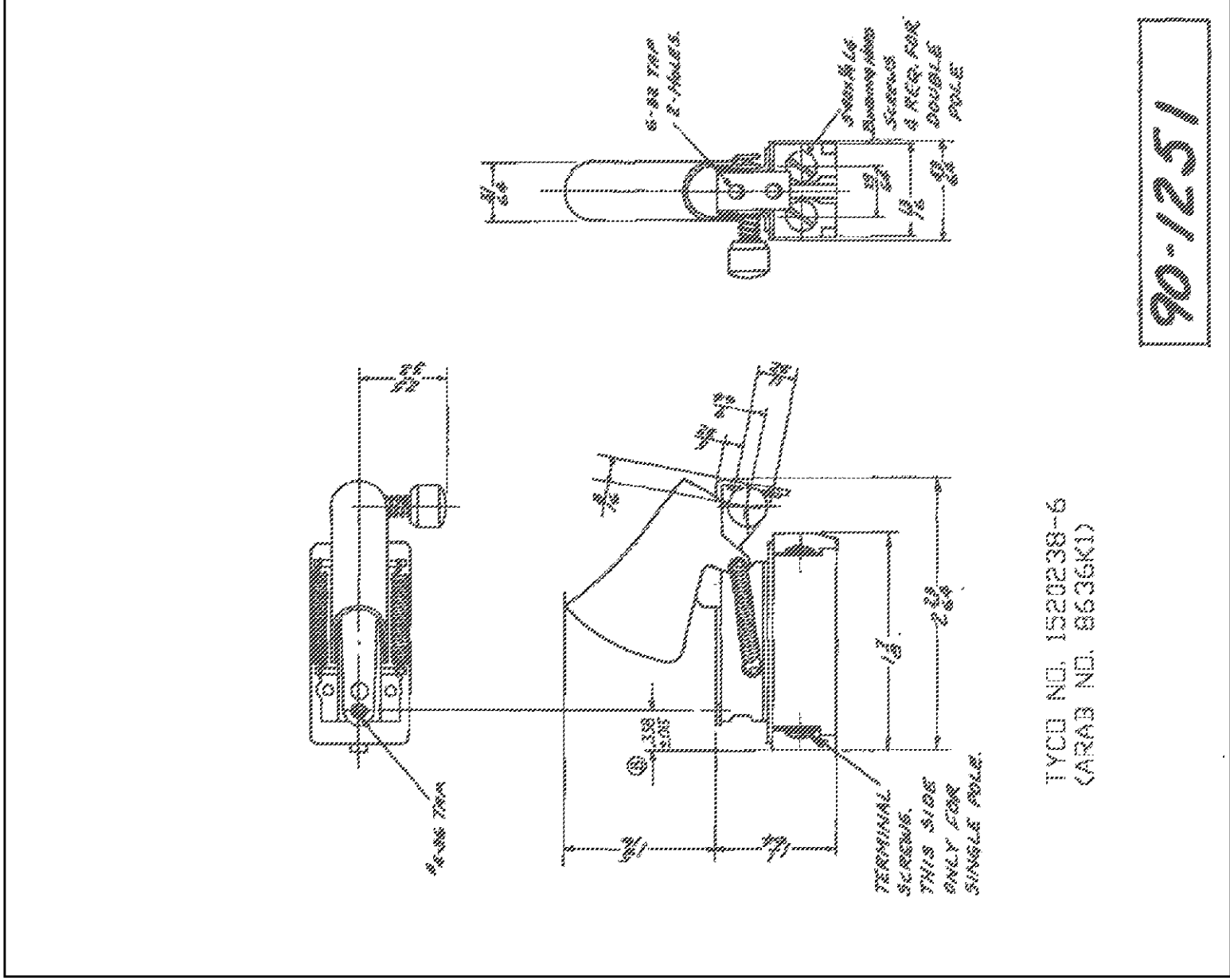
NOTE:  
1. SWITCH RATED AT 8A 250V 16A 125V 1HP 125V.

TYCO NO. 1520238-1  
(ARAB NO. 8630K50)

90-6361

THIS DRAWING IS A CONTROLLED DOCUMENT.		DWN M. WHITED 26AUG76	Tyco Electronics Corporation Arab, AL 35016	
DIMENSIONS: INCHES		CHK J. SMITH 27AUG76	NAME ALL PLASTIC ROCKER SWITCH	
TOLERANCES UNLESS OTHERWISE SPECIFIED:		APVD R. SARAS 27AUG76	PRODUCT SPEC -	
0 PLC ± -		APPLICATION SPEC -		
1 PLC ± -		WEIGHT -		
2 PLC ± -		SIZE A3		
3 PLC ± -		CAGE CODE 00779		
4 PLC ± -		DRAWING NO 1520238		
ANGLES ± -		RESTRICTED TO -		
FINISH -		SCALE 1:1		
MATERIAL -		SHEET 1 OF 4		
		REV A		
CUSTOMER DRAWING				

LOC	DIST	P	LTR	REVISIONS		DATE	DWN	APVD
AD 00				DESCRIPTION				
		A		ECOG3G-0016-01		25MAY01	WL	WBH

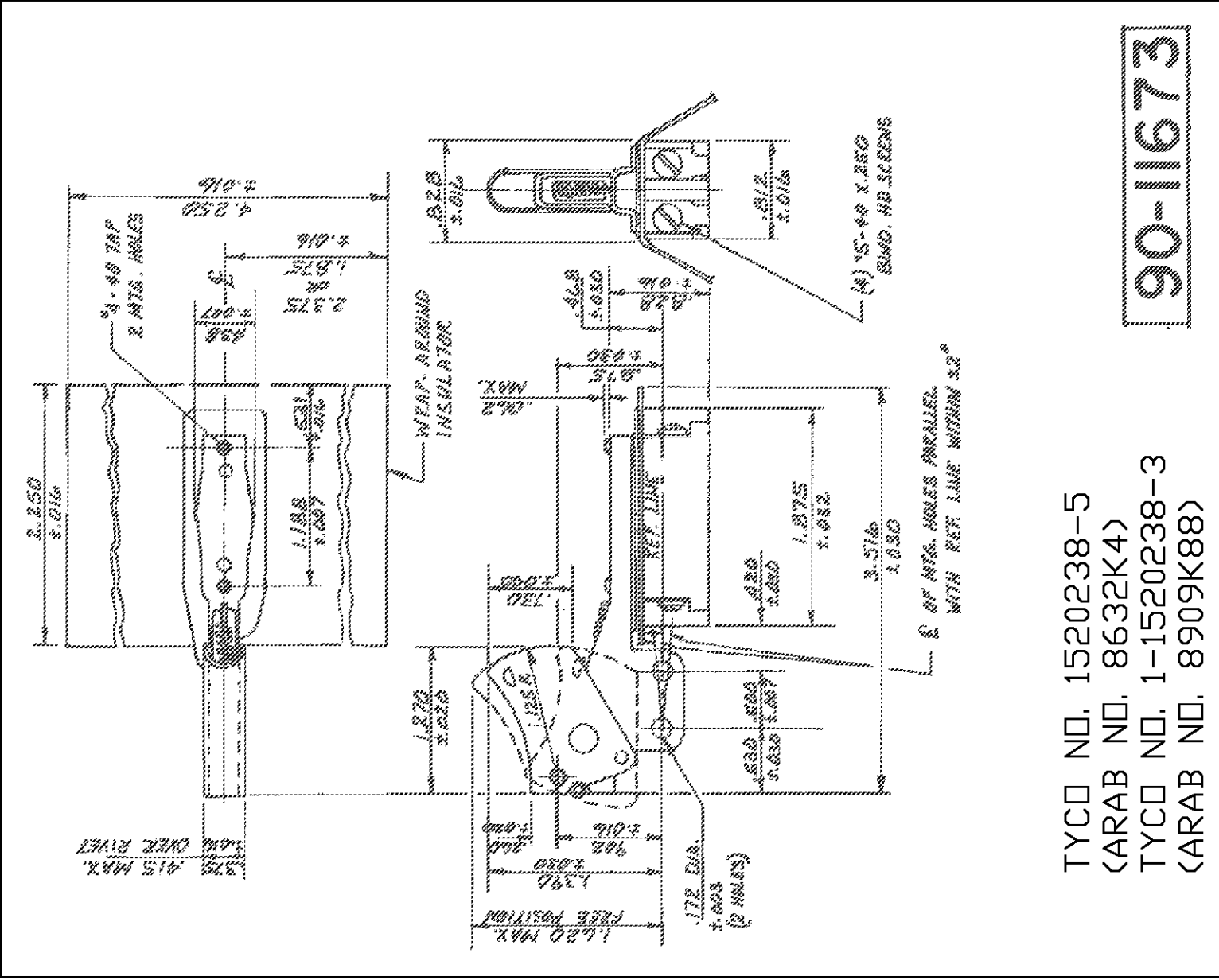


TYCO NO. 1520238-6  
(ARAB NO. 8536K1)

90-1251

DIMENSIONS: INCHES  TOLERANCES UNLESS OTHERWISE SPECIFIED:  0 PLC ± - 1 PLC ± - 2 PLC ± - 3 PLC ± - 4 PLC ± - ANGLES ± -	DWN	N.G. KEAEN	18FEB52	MATERIAL	-	FINISH	-
	CHK	S. SOTO	22FEB52	<b>Tyco Electronics Corporation</b> Arab, AL 35016			
	APVD	J. MENER	23FEB52	<b>TOOL HANDLE SWITCH</b> NAME			
	PRODUCT SPEC			SIZE CAGE CODE DRAWING NO			
APPLICATION SPEC			A4 00779  1520238				
WEIGHT			SCALE 1:1 SHEET 3 OF 4				
CUSTOMER DRAWING			RESTRICTED TO -				
			REV A				

LOC	DIST	REVISIONS	DATE	DWN	APVD
AD 00	P LTR	DESCRIPTION	25MAY01	WL	WBH
	A	EC0G3G-0016-01			



TYCO NO. 1520238-5  
 (ARAB NO. 8632K4)  
 TYCO NO. 1-1520238-3  
 (ARAB NO. 8909K88)

90-11673

THIS DRAWING IS UNPUBLISHED. RELEASED FOR PUBLICATION

© COPYRIGHT - BY TYCO ELECTRONICS CORPORATION. ALL RIGHTS RESERVED.

DIMENSIONS: INCHES	DWN	25MAY01	MATERIAL	FINISH
	CHK	30AUG83		
TOLERANCES UNLESS OTHERWISE SPECIFIED:	APVD	31AUG83		
	B. NEWLAND			
	PRODUCT SPEC			
	APPLICATION SPEC			
0 PLC ± -	NAME Tyco Electronics Corporation Arab, AL 35016			
1 PLC ± -				
2 PLC ± -				
3 PLC ± -				
4 PLC ± -	CAGE CODE DRAWING NO			
ANGLES ± -	A4 00779  1520238			
	SCALE 1:1 SHEET 2 OF 4			
	CUSTOMER DRAWING			
RESTRICTED TO				
-				
REV A				